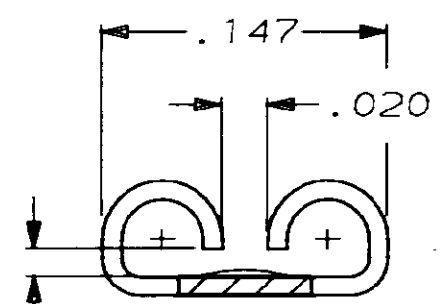
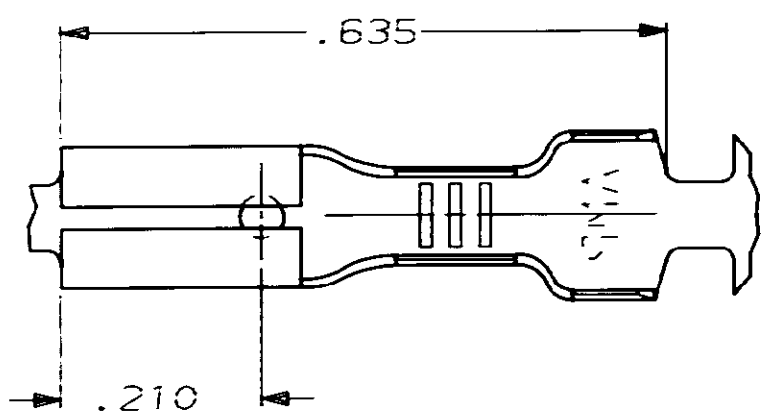


THIS DRAWING IS UNPUBLISHED. RELEASED FOR PUBLICATION, 19
 © COPYRIGHT 19 BY AMP INCORPORATED. ALL INTERNATIONAL RIGHTS RESERVED.

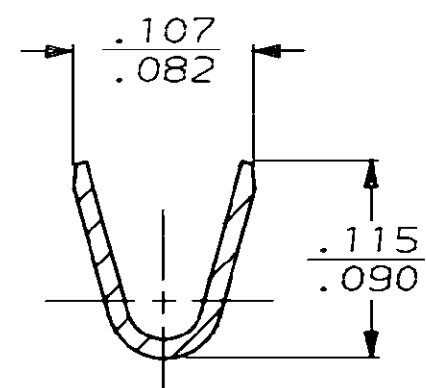
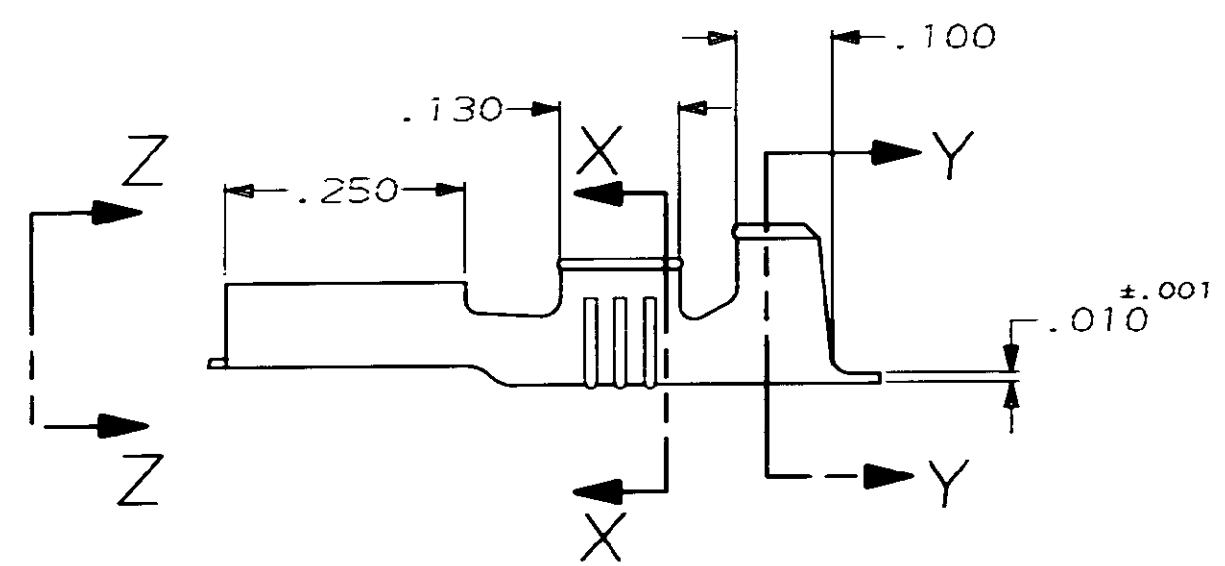
LOC	DIST	P	F	REVISIONS				
				ZONE	LTR	DESCRIPTION	DATE	APPD
AF	50				C	REDRAWN AF-7175	12/20/90	JR/MS



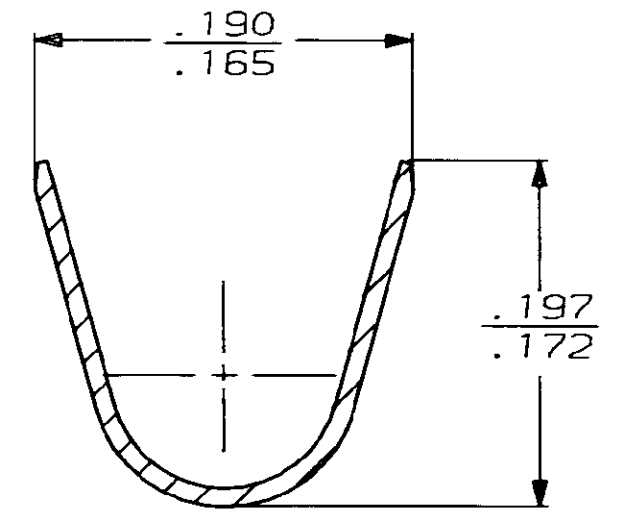
FITS .110 SERIES FASTON TABS

VIEW Z-Z
SCALE 10:1

1 CONTINUOUS STRIP ON REELS



SECTION X-X
SCALE 10:1



SECTION Y-Y
SCALE 10:1

	.120-.140	22-18 AWG	.025	61158-1
	INSUL RANGE	WIRE SIZE	MATING TAB THK ±.001	PART NO
DO NOT SCALE PRINT. UNLESS SPECIFIED DIMENSIONS ARE IN INCHES. TOLERANCES ON: 2 PLC DEC ± - 3 PLC DEC ± .015 ANGLES ± -	DR 12/20/90 JR RUTH	AMP AMP Incorporated Harrisburg, PA 17105-3608		
MATERIAL #4H BRASS	CHK 12/20/90 MS FEHER			
FINISH PRE-TIN	APPD 12/21/90 C MEYERS	NAME RECEPTACLE, FASTON, .110 SERIES		
	APPD 12/21/90 D REINER			
	PRODUCT SPEC -	SIZE B	CAGE CODE 00779	DRAWING NO 61158
	APPLICATION SPEC -	SCALE 5:1	SHEET 1 OF 1	
	WEIGHT -			